

Universal Window Felt Parts

Door Window Felt Strips, Universal, 8' Strips

Single Sided Strips:

	17/64	15/64	1/4	21/64	
	7/16	7/16	9/16	9/16	
	1	2	3	4	
H-45983-1	Single side strip, black bead			25.00 ea	
H-45983-2	Single side strip, stainless bead			22.50 ea	
H-45983-3	Single side strip, black bead			30.00 ea	
H-45983-4	Single side strip, stainless bead			30.00 ea	

U Shape, no bead:

	1/4	3/16 - 1/4	3/16 - 1/4	7/16 - 1/2	3/16 - 1/4	
	9/16	1/2	17/32	5/8	3/8	
	5	6	7	9	10	
	5/8	5/8	5/8	27/32	1/2	
H-45983-5	U shape, flexible, felt lined, black			40.00 ea		
H-45983-6	U shape, flexible, felt & pile lined, black			40.00 ea		
H-45983-7	U shape, flexible, pile lined, black			35.00 ea		
H-45983-9	U shape, flex, pile line, 7/16 to 1/2 glass (72" length)			45.00 ea		
H-45983-10	U shape, rigid, felt & pile lined, black			30.00 ea		

U Shape, Stainless bead

		3/16 - 1/4	3/16 - 1/4	
<i>U shape, flex, felt & pile lined</i>				
H-45983-8	40.00 ea	9/16	1/2	12
<i>U shape, rigid, pile lined</i>				
H-45983-12	45.00 ea	5/8	1/2	

Double Channel, U shape

used on some station wagon sliding windows

Pile & felt lined

H-45983-20	50.00 ea	1/2	7/16 - 1/2	1 - 7/64
------------	----------	-----	------------	----------

Window Felt Mounting Hardware

These clips are included in complete window felt kits.

YB-16740-C	Clip for ends of felt	1.00 ea
B-703536	Small headed screws, black, used to mount fuzzy strips to window openings when original hardware is not used (25 pcs)	5.00 set
48-703536-A	Punch Clips used 1935-52 (25 pcs)	10.00 ea
48-703536-B	Garnish Clips used 1935-36 (25 pcs)	10.00 ea
78-703536	Staples used 1937-48 (25 pcs)	5.00 ea
11A-703536	V Clips used 1941-48 (25 pcs)	10.00 ea

Window Felt Universal Guide Channel

U shape, use to support 5/8 wide felt for custom applications.

36" length:

H-45983-WC	30.00 ea
------------	----------



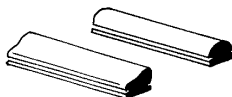
Window Glass to Frame Setting Tape

B-37193-A	All years, 20 ft, 1/32" thick	10.00 ea
B-37193-B	All years, 20 ft, 3/64" thick	10.00 ea
B-37193-C	All years, 20 ft, 1/16" thick	15.00 ea
B-37193-D	All years, 20 ft, 5/64" thick	15.00 ea

1932-35 Window Glass Anti-Rattlers

Fits into holes in door, body, and garnish molding. Included in felt kits.

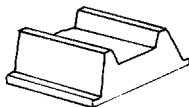
B-46044	Door or body	0.75 ea
B-45830	Garnish molding	0.75 ea



Window Glass Bottom Rest Bumper

Included in felt kits.

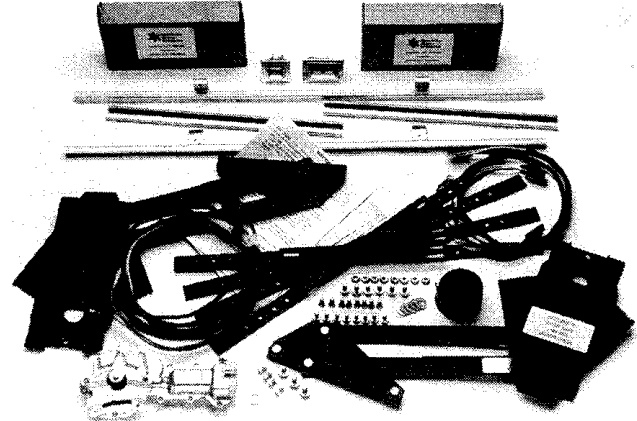
B-48141	1926-34	1.00 ea
---------	---------	---------



Power Window Regulators

"Geared" Power Window Kits by Specialty Power Windows

This kit features AC Delco motors and includes regulators, window glass bottom channels, necessary mounting brackets, control switches, and switch wire harnesses. Minimum 24" glass width.



SPW-48100-A	2-Window, for Coupe, Convrt*, Pickup	500.00 set
SPW-48100-C	4-Window, for Sedan	950.00 set

**Convertibles may need fabrication of upper stops for proper glass top control.*

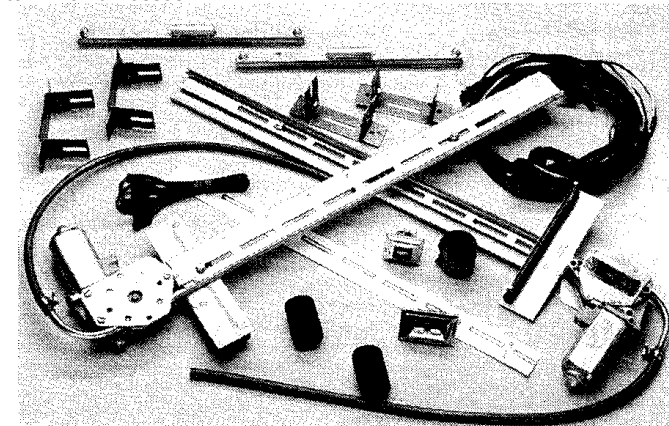
Geared Regulator Kit for Model A

Specially designed for easy installation into 1928-31 Model A. These are single arm regulators. Kit includes wiring and switches.

SPW-48100-MA	2-Window, for Coupe & Pickup	500.00 ea
SPW-48100-MC	4-Window, for Sedan	950.00 ea

Wonder Lift Regulator Kits by Specialty Power Windows

This kit features Bosch motors and includes regulators, window glass bottom channels, necessary mounting brackets, control switches, and switch wire harnesses.



SPW-48100-LA	2-Window, for Coupe & Pickup	500.00 set
SPW-48100-LC	4-Window, for Sedan	950.00 set

Back Window Power Window Unit

We designed it for our 1932 3-Window Coupe, Specialty Power Windows makes it. Requires fabrication of a new mounting base plate to use on steel cars. Other fiberglass cars may need extra modifications to mount base plate and mount window channels.

SPW-48100-RW	Back Window Power Unit	350.00 ea
--------------	------------------------	-----------

* Parts with price listed as "not.avbl" are not known to be available at this time, but are listed for reference.

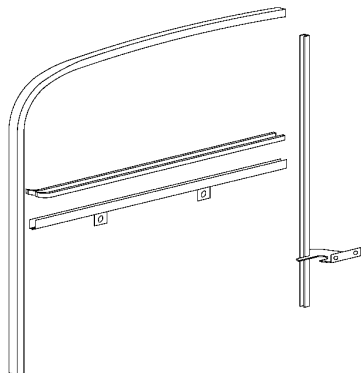
1948-56 Pickup Window Parts, cont

1948-56 Pickup Window Parts

Typical 1948-56 Pickup Window Parts

Window Felt Kits

Kits includes stainless steel division bars (with felt run and back edge of vent window seal, lower window anti rattles & window back and top run strips for 2 windows. All necessary mounting clips included



7C-45983-PUX	1948-52	200.00	ea
BAAA-45983-PUX	1953-55	200.00	ea
B6C-45983-PUX	1956	200.00	ea

Pickup Window Felt Kit Parts (included in kit)

1948-52:		RH		LH	
Division Bar	7C-8122296-C	65.00	ea	7C-8122297-C	65.00 ea
Lower strips (4pc)	7C-8121452-S	35.00	set		
Run Strip (plain)	7C-8121555	45.00	ea	7C-8121555	45.00 ea
1953-55:		RH		LH	
Division Bar	BAAA-8122296-C	65.00	ea	BAAA-8122297-C	65.00 ea
Lower strips (1 door)	BAAA-8121452-S	25.00	pr	BAAA-8121452-S	25.00 pr
Run Strip (stainless)	BAAA-8121555	45.00	ea	BAAA-8121555	45.00 ea
1956:		RH		LH	
1956 Division Bar	B6C-8122296-C	65.00	ea	B6C-8122297-C	65.00 ea
Lower felt strip 1 door	B6C-8121452-S	35.00	pr	B6C-8121452-S	35.00 pr
Run Strip (stainless)	B6C-8121555	45.00	ea	B6C-8121555	45.00 ea

Door Glass Retaining Channels

7C-8121462-A	Door glass bottom channel, R or L, 48-52 PU	27.50	ea
BAAA-8121458-A	Door glass bottom channel, R or L, 53-55 PU	27.50	ea
B6C-8121458-A	Door glass bottom channel, RH or LH, 56 PU	27.50	ea

Window Regulators

7C-702700	1948-52 Pickup, RH	70.00	ea
7C-702701	1948-52 Pickup, LH	70.00	ea
BAAA-8123200	Window Regulator, RH, 1953-55 PU	85.00	ea
BAAA-8123201	Window Regulator, LH, 1953-55 PU	85.00	ea
B6C-8123200-B	Window Regulator, RH, 1956 PU	70.00	ea
B6C-8123201-B	Window Regulator, LH, 1956 PU	70.00	ea

Regulator Repair Parts

7C-8123205-S	Window crank shaft repair kit, 48-52 PU	not.avbl
BAAA-8123205-S	Window crank shaft repair kit, 53-55 PU	15.00 ea
BA-7023240-A	Window Regulator Rollers, 53-56 PU	7.50 ea
B6C-8123205-S	Window crank shaft repair kit, 56 PU	15.00 ea

Front Door Vent Window Rubber Seal

7C-8121448-S	1948-52 Pickup	70.00	pr
BAA-8121448-S	1953-55 Pickup	70.00	pr
B6C-8121448-S	1956 Pickup	70.00	pr

Pickup Vent Window Back Edge Seals

7C-8121450-RM	1948-52 Pickup	17.50	pr
BAAA-8121450-R	1953-55 Pickup	17.50	pr
B6C-8121450-RM	1956 Pickup	17.50	pr

Vent Window Handles, Push Out, Chrome Plated

78-735280	1948-50 Pickup	20.00	ea
78-735281	1948-50 Pickup	20.00	ea
8M-7022916	1951-52 Pickup, RH	20.00	ea
8M-7022917	1951-52 Pickup, LH	20.00	ea
BAAA-8122916	1953-55 Pickup, RH	20.00	ea
BAAA-8122917	1953-55 Pickup, LH	20.00	ea
A9AZ-8122916	1956 Pickup, RH, w/button	25.00	ea
A9AZ-8122917	1956 Pickup, LH, w/button	25.00	ea

Vent Window Button & Spring, Push Out

8A-7022920-S	1951-56 Pickup	5.00	kit
--------------	----------------	------	-----

Vent Window Handle Pivot Shaft and Bracket

7C-7022938	1948-50 Pickup front vent	15.00	ea
01A-7022938	1951-55 Pickup	15.00	ea
8A-7022920-R	1956 Pickup, RH front vent	12.50	ea
8A-7022920-L	1956 Pickup, LH front vent	12.50	ea

Vent Window Frame

Stainless steel, includes pivots

BAAA-8121406-B	RH, 1953-55 PU	165.00	ea
BAAA-8121407-B	LH, 1953-55 PU	165.00	ea

Vent Window Frame Hinge Pivot Brackets

BAAA-8121408-R	Lower pivot bkt, RH, 1953-55 PU	65.00	ea
BAAA-8121408-L	Lower pivot bkt, LH, 1953-55 PU	65.00	ea

Back Window Seals, Ends seamed as original.

7C-8142084-A	1948-50 Pickup (small window)	22.50	ea
7C-8242084-P	1948-52 Panel delivery	60.00	pr
1C-8142084	1951-52 Pickup (large window)	25.00	ea
BAA-8142084	1953-56 Pickup	25.00	ea
BAA-8242084-P	1953-56 Panel delivery	60.00	pr
B6C-8142084	1956 Pickup (wrap-around)	40.00	ea

Headliner

Pickup Headliner Kits

Cardboard, pre cut and stitched

01C-8151968-BL	1940-47, black	190.00	ea
7C-8151968-BL	1948-52, black	200.00	ea
7C-8151968-BR	1948-52, brown	200.00	ea
7C-8151968-GR	1948-52, grey	200.00	ea

* Parts with price listed as "not.avbl" are not known to be available at this time, but are listed for reference.