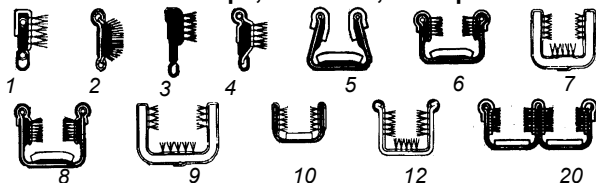


### Universal Window Felt Parts

#### Door Window Felt Strips, Universal, 8' Strips



H-45983-1	Single side strip, black bead, 7/16	25.00	ea
H-45983-2	Single side strip, stainless bead, 7/16	17.50	ea
H-45983-3	Single side strip, black bead, 9/16	27.50	ea
H-45983-4	Single side strip, black, pile lined, 9/16	27.50	ea
H-45983-5	U shape, flexible, felt, black	35.00	ea
H-45983-6	U shape, flexible, felt & pile lined, black	35.00	ea
H-45983-7	U shape, flexible, pile lined, black	35.00	ea
H-45983-8	U shape, flex, felt & pile lined, stainless bead	35.00	ea
H-45983-9	U shape, flex, pile line, 7/16 to 1/2 glass	35.00	ea
H-45983-10	U shape, rigid, felt & pile lined, black	27.50	ea
H-45983-12	U shape, rigid, pile lined, stainless bead	35.00	ea
H-45983-20	Double U shape, flexible, pile & felt lined used on some station wagon sliding windows	45.00	ea

#### Window Glass to Frame Setting Tape

B-37193-A	All years, 20 ft, 1/32" thick	5.00	ea
B-37193-B	All years, 20 ft, 3/64" thick	7.50	ea
B-37193-C	All years, 20 ft, 1/16" thick	10.00	ea
B-37193-D	All years, 20 ft, 5/64" thick	10.00	ea

#### Window Felt Mounting Hardware

Sets of 25. these clips are included in complete window felt kits.

B-703536	Small headed screws, black, used to mount fuzzy strips to window openings when original hardware is not used	3.00	set
48-703536-A	Punch Clips used 1935-52	7.50	ea
48-703536-B	Garnish Clips used 1935-36	7.50	ea
78-703536	Staples used 1937-48	3.00	ea
11A-703536	V Clips used 1941-48	7.50	ea

#### 1932-35 Window Glass Anti-Rattlers

Fits into holes in door, body, and garnish molding. Included in felt kits.

B-46044	Door or body	0.75	ea
B-45830	Garnish molding	0.50	ea

#### Window Glass Top Cushion Only

Note: Top cushion is included in window felt kits when needed.

A-45983-T	1928-31 (1 required per window)	2.50	ea
T-8399-T	1926-27 Tudor sedan quarter window	5.00	ea

#### Window Glass Bottom Rest Bumper

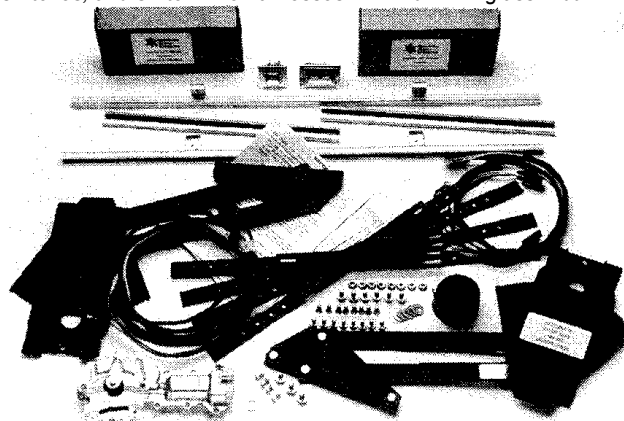
Included in felt kits.

B-48141	1926-34	0.75	ea
---------	---------	------	----

### Power Window Regulators

#### "Geared" Power Window Kits by Specialty Power Windows

This kit features AC Delco motors and includes regulators, window glass bottom channels, necessary mounting brackets, control switches, and switch wire harnesses. Minimum 24" glass width.



SPW-48100-A	2-Window, for Coupe, Convrt*, Pickup	450.00	set
SPW-48100-C	4-Window, for Sedan	825.00	set

\*Convertibles may need fabrication of upper stops for proper glass top control.

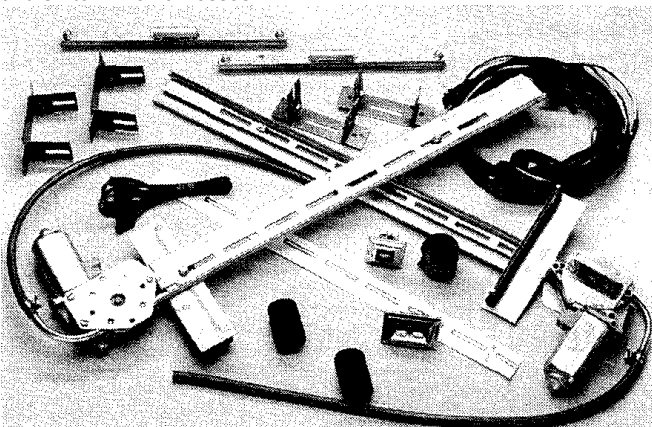
#### Geared Regulator Kit for Model A

Specially designed for easy installation into 1928-31 Model A. These are single arm regulators. Kit includes wiring and switches.

SPW-48100-MA	2-Window, for Coupe & Pickup	450.00	ea
SPW-48100-MC	4-Window, for Sedan	825.00	ea

#### Wonder Lift Regulator Kits by Specialty Power Windows

This kit features Bosch motors and includes regulators, window glass bottom channels, necessary mounting brackets, control switches, and switch wire harnesses.



SPW-48100-LA	2-Window, for Coupe & Pickup	450.00	set
SPW-48100-LC	4-Window, for Sedan	825.00	set

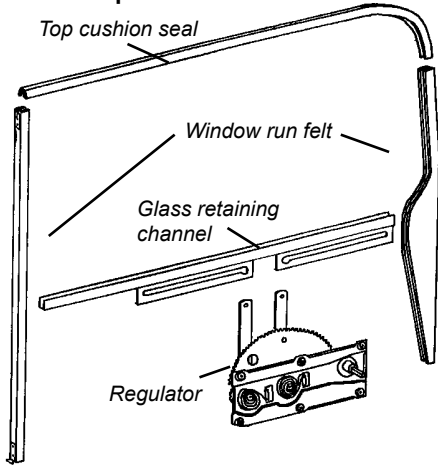
#### Back Window Power Window Unit

We designed it for our 1932 3-Window Coupe, Specialty Power Windows makes it. Requires fabrication of a new mounting base plate to use on steel cars. Other fiberglass cars may need extra modifications to mount base plate and mount window channels.

SPW-48100-RW	Back Window Power Unit	275.00	ea
--------------	------------------------	--------	----

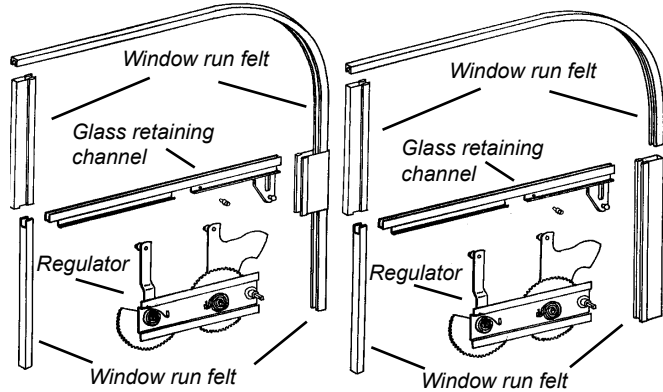
### 1933-34 Passenger Window Parts

#### Typical 1933 Coupe & Sedan Window Parts



### 1933-34 Pass Window Parts, cont

#### Typical 1934 Coupe & Sedan Window Parts



Typical of early 1934 with inside door handle near front of door

Typical of late 1934 with inside door handle near center of door

#### 1933 Roll-Up Window Felt Kits

Includes window run felt channels for both right and left sides. Felt channels have attaching clips installed. Window top seals and adhesive are included. Regulator and glass retaining channels not included.

18-45983-3W	3-Window coupe doors	115.00	ea
18-45983-2D	5 Window, Tudor, Victoria, Fordor front doors	57.50	ea
B-56786	Tudor sedan quarter windows	57.50	ea
18-56791	Fordor rear doors & quarters	70.00	ea
A-46108	Coupe rolldown back window	20.00	ea

#### 1933 Window Regulators

18-702700	RF door: Coupe & Sedan, RH Quarter: Tudor	65.00	ea
18-702701	LF door: Coupe & Sedan, LH Quarter: Tudor	65.00	ea

#### Window Regulator Repair Kits

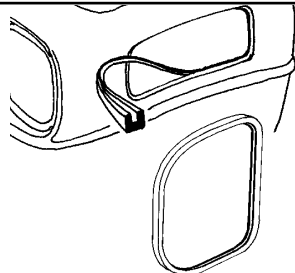
Includes small pinion gear, handle shaft, housing, clutch spring, and 3 housing rivets. Ford used different suppliers so check number of pinion teeth and for 3 rivets mounting shaft housing.

B-48105-WRK	1932-34 w/10 tooth pinion	32.50	ea
-------------	---------------------------	-------	----

#### 1933 Window Glass Retaining Channels

18-45962	Door, RH: 1933 3-Window coupe	35.00	ea
18-45963	Door, LH: 1933 3-Window coupe	35.00	ea
40-45962-A	Door, RH: 1933 5-Window & Fordor	35.00	ea
40-45963-A	Door, LH: 1933 5-Window & Fordor	35.00	ea
40-55962-A	Door, RH: 1933 Tudor & Victoria	35.00	ea
40-55963-A	Door, LH: 1933 Tudor & Victoria	35.00	ea
B-56789	Door, RH rear: Fordor	35.00	ea
B-56790	Door, LH rear: Fordor	35.00	ea
40-56787-A	Quarter: RH window: 1933 Tudor	35.00	ea
40-56788-A	Quarter: LH window: 1933 Tudor	35.00	ea
A-45963-A	Quarter: RH: 1933 Fordor	10.00	ea
A-45963-B	Quarter: LH: 1933 Fordor	10.00	ea
B-47106	Back Window: 1930-34 Coupe (roll down)	10.00	ea

#### Fixed Quarter & Back Window Glass Rubber Channels



#### Quarter & Back Window Seal

B-704220	10' length	15.00	ea
----------	------------	-------	----

#### 5-Window Quarter Window Seal

40-704220-S	Ends seamed as original.	20.00	pr
-------------	--------------------------	-------	----

#### 1934 Roll-Up Window Felt Kits

Important: 1934 used two different types of window felt kits. One type was common to cars with the inside door handle near front of door, the other common to cars with the inside door handle near the center.

Felt kits include all metal and felt lined window run channels (w/ mounting clips installed) for 2 windows (both sides of car). Window bumpers (both door and garnish) and installation screws included. Regulator and glass retaining channels not included.

Handle location	To front	Near center
3 Window Coupe	40-45983-3W 80.00 ea	40-45983-3W 80.00 ea
5 Window/4 door front	40-45983-5WF 80.00 ea	40-45983-5WC 90.00 ea
Tudor/Victoria	40-45983-2DF 80.00 ea	40-45983-2DC 80.00 ea
Tudor quarter	40-56786 65.00 ea	40-56786 65.00 ea
Fordor rear doors	40-56791-F 75.00 ea	40-56791-C 75.00 ea
Coupe back window	A-46108 20.00 ea	A-46108 20.00 ea

#### Cabriolet Window Special Parts

B-782144	Glass to body & garnish bumper (5")	5.00	ea
----------	-------------------------------------	------	----

#### 1934 Window Regulators

40-702700	RH Door: Coupe & Sedan, Quarter: Tudor/Vic	65.00	ea
40-702701	LH Door: Coupe & Sedan, Quarter: Tudor/Vic	65.00	ea

#### Window Regulator Repair Kits

Includes small pinion gear, handle shaft, housing, clutch spring, and 3 housing rivets. Ford used different suppliers so check number of pinion teeth and for 3 rivets mounting shaft housing.

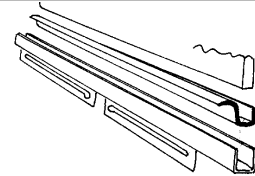
B-48105-WRK	1932-34 w/10 tooth pinion	32.50	ea
-------------	---------------------------	-------	----

#### 1933-34 Front Door Window Glass Retaining Channels

40-702170	Door, RH: 3 Window/Tudor/Victoria	35.00	ea
40-702171	Door, LH: 3 Window/Tudor/Victoria	35.00	ea
40-772170	Door, RH: 5 Window/Fordor front/SedanDly	35.00	ea
40-772171	Door, LH: 5 Window/Fordor front/SedanDly	35.00	ea
B-56789	Rear door, RH: Fordor	35.00	ea
B-56790	Rear door, LH: Fordor	35.00	ea
40-702170-Q	Quarter: RH: Tudor/Victoria	35.00	ea
40-702171-Q	Quarter: LH: Tudor/Victoria	35.00	ea
B-47106	Back Window: Coupe (roll down)	10.00	ea

#### Window Glass to Body Seal

Sets glass into channel. When window is rolled up it is sealed to door or body. 6' length.



B-45968	10.00	ea
---------	-------	----