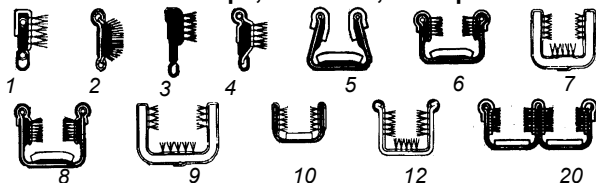


### Universal Window Felt Parts

#### Door Window Felt Strips, Universal, 8' Strips



H-45983-1	Single side strip, black bead, 7/16	25.00	ea
H-45983-2	Single side strip, stainless bead, 7/16	17.50	ea
H-45983-3	Single side strip, black bead, 9/16	27.50	ea
H-45983-4	Single side strip, black, pile lined, 9/16	27.50	ea
H-45983-5	U shape, flexible, felt, black	35.00	ea
H-45983-6	U shape, flexible, felt & pile lined, black	35.00	ea
H-45983-7	U shape, flexible, pile lined, black	35.00	ea
H-45983-8	U shape, flex, felt & pile lined, stainless bead	35.00	ea
H-45983-9	U shape, flex, pile line, 7/16 to 1/2 glass	35.00	ea
H-45983-10	U shape, rigid, felt & pile lined, black	27.50	ea
H-45983-12	U shape, rigid, pile lined, stainless bead	35.00	ea
H-45983-20	Double U shape, flexible, pile & felt lined used on some station wagon sliding windows	45.00	ea

#### Window Glass to Frame Setting Tape

B-37193-A	All years, 20 ft, 1/32" thick	5.00	ea
B-37193-B	All years, 20 ft, 3/64" thick	7.50	ea
B-37193-C	All years, 20 ft, 1/16" thick	10.00	ea
B-37193-D	All years, 20 ft, 5/64" thick	10.00	ea

#### Window Felt Mounting Hardware

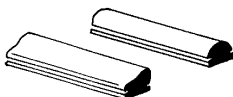
Sets of 25. these clips are included in complete window felt kits.

B-703536	Small headed screws, black, used to mount fuzzy strips to window openings when original hardware is not used	3.00	set
48-703536-A	Punch Clips used 1935-52	7.50	ea
48-703536-B	Garnish Clips used 1935-36	7.50	ea
78-703536	Staples used 1937-48	3.00	ea
11A-703536	V Clips used 1941-48	7.50	ea

#### 1932-35 Window Glass Anti-Rattlers

Fits into holes in door, body, and garnish molding. Included in felt kits.

B-46044	Door or body	0.75	ea
B-45830	Garnish molding	0.50	ea



#### Window Glass Top Cushion Only

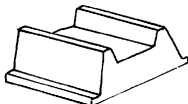
Note: Top cushion is included in window felt kits when needed.

A-45983-T	1928-31 (1 required per window)	2.50	ea
T-8399-T	1926-27 Tudor sedan quarter window	5.00	ea

#### Window Glass Bottom Rest Bumper

Included in felt kits.

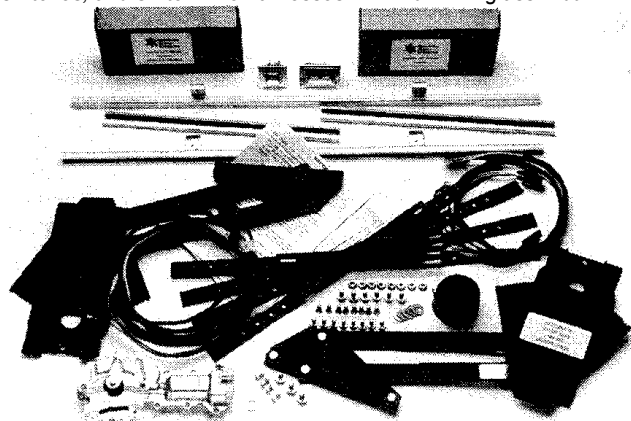
B-48141	1926-34	0.75	ea
---------	---------	------	----



### Power Window Regulators

#### "Geared" Power Window Kits by Specialty Power Windows

This kit features AC Delco motors and includes regulators, window glass bottom channels, necessary mounting brackets, control switches, and switch wire harnesses. Minimum 24" glass width.



SPW-48100-A	2-Window, for Coupe, Convrt*, Pickup	450.00	set
SPW-48100-C	4-Window, for Sedan	825.00	set

\*Convertibles may need fabrication of upper stops for proper glass top control.

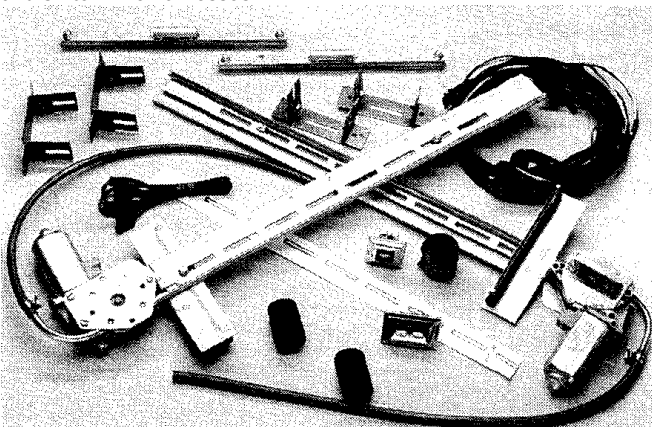
#### Geared Regulator Kit for Model A

Specially designed for easy installation into 1928-31 Model A. These are single arm regulators. Kit includes wiring and switches.

SPW-48100-MA	2-Window, for Coupe & Pickup	450.00	ea
SPW-48100-MC	4-Window, for Sedan	825.00	ea

#### Wonder Lift Regulator Kits by Specialty Power Windows

This kit features Bosch motors and includes regulators, window glass bottom channels, necessary mounting brackets, control switches, and switch wire harnesses.



SPW-48100-LA	2-Window, for Coupe & Pickup	450.00	set
SPW-48100-LC	4-Window, for Sedan	825.00	set

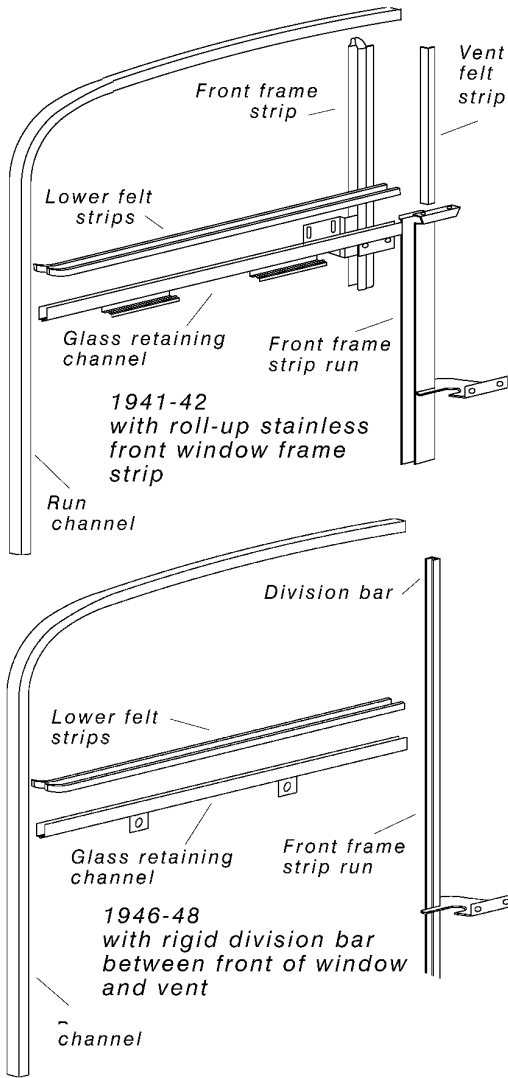
#### Back Window Power Window Unit

We designed it for our 1932 3-Window Coupe, Specialty Power Windows makes it. Requires fabrication of a new mounting base plate to use on steel cars. Other fiberglass cars may need extra modifications to mount base plate and mount window channels.

SPW-48100-RW	Back Window Power Unit	275.00	ea
--------------	------------------------	--------	----

**1941-48 Passenger Window Parts**

**Typical 1941-42 & 1946-48 Coupe & Sedan Window Parts**



**1941-48 Passenger Roll-Up Window Felt Kits**

Kits include all felt channels, window bottom felt, and vent window division felt, installation clips, and screws for 2 windows. Kits do not include felt strip for front vent divider stainless frame strip.

1941-42 Type A front inner channel used slotted mounting holes, Type B used threaded mount holes.

Business coupe windows are appx 17 1/2" long, Sedan coupe 26"

11A-45983-2DA	1941-42 Tudor & Sedan Coupe doors (type A)	90.00	ea
11A-45983-2DB	1941-42 Tudor & Sedan Coupe doors (type B)	90.00	ea
11A-45983-5WA	1941-42 Business Coupe & Fordor front (A)	90.00	ea
11A-45983-5WB	1941-42 Business Coupe & Fordor front (B)	90.00	ea
11A-45983-C	1941 Convertible	57.50	ea
21A-45983-C	1942-48 Convertible	57.50	ea
51A-45983-2D	1946-48 Tudor & Sedan Coupe doors	90.00	ea
51A-45983-5W	1946-48 Business Coupe & Fordor front doors	90.00	ea
11A-56786	1941-42 Tudor quarter	90.00	ea
51A-56786	1946-48 Tudor quarter	90.00	ea
11A-56791	1941-42 Fordor rear doors	85.00	ea
51A-56791	1946-48 Fordor rear doors	85.00	ea

**1941-48 Passenger Window Parts,**

**1941-48 Front Door Vent Window to Door Window Strip**

\*\*\* Window felt kits DO NOT include vent window felt strip.\*\*\*

11A-7022296-A	1941-48 Convertible, Rubber	22.50	pr
11A-7022296	1941-42 Coupe/Sedan, fuzz	22.50	pr
51A-7022296	1946-48 Coupe/Sedan, rubber	22.50	pr

**Convertible Window Special Parts**

48-762232	Glass to door window stainless frame rubber	10.00	ea
21A-762232	Glass to quarter window stainless frame rubber	15.00	pr
21A-7630106-S	1942-48 quarter window front edge seals	45.00	pr

**Front Door Vent Window Parts**

11A-7621448-S	Rubber seals, 1941-48 Convertible	100.00	pr
11A-7021448-S	Rubber seals, 1941-48 Coupe & Sedan	100.00	pr
01A-7022916/7	Handle, w/center button, chrome	65.00	pr

**Window Regulator Repair Kits**

Includes small pinion gear, handle shaft, housing, clutch spring, and 3 housing rivets. Ford used different suppliers so check number of pinion teeth and for 3 rivets mounting shaft housing.

01A-48105-WRK	1940-48 Passenger w/6 tooth pinion	25.00	ea
B-48105-WRK	1940 Tudor quarter window w/10 tooth pinion	32.50	ea
48-48105-WRK	1940-41 Pickup w/6 tooth pinion	27.50	ea

**1941-48 Passenger Window Glass Retaining Channels**

Note: Type A has divider bar brackets opposite regulator arm mount hole brackets. Type B has them on the same side.

11A-702170-A	RH front, type A: Tudor sedan	35.00	ea
11A-702170-B	RH front, type B: Tudor sedan	35.00	ea
11A-702171-A	LH front, type A: Tudor sedan	35.00	ea
11A-702171-B	LH front, type B: Tudor sedan	35.00	ea
11A-772170-A	RH front, type A: Coupe & Fordor	35.00	ea
11A-772170-B	RH front, type B: Coupe & Fordor	35.00	ea
11A-772171-A	LH front, type A: Coupe & Fordor	35.00	ea
11A-772171-B	LH front, type B: Coupe & Fordor	35.00	ea
11A-56789	RH or LH rear: Fordor sedan	35.00	ea
11A-702170-R	Quarter: RH window: Tudor sedan	35.00	ea
11A-702171-L	Quarter: LH window: Tudor sedan	35.00	ea

**Window Glass to Frame Setting Tape**

B-37193-A	All years, 20 ft, 1/32" thick	5.00	ea
B-37193-B	All years, 20 ft, 3/64" thick	7.50	ea
B-37193-C	All years, 20 ft, 1/16" thick	10.00	ea
B-37193-D	All years, 20 ft, 5/64" thick	10.00	ea

**Coupe & Fordor Sedan Popout Quarter Window Parts**

11A-773540-S	Rubber seal, 1941-46 w/full surround ring	115.00	pr
51A-7229904/5-A	Rubber seal, 1946-48 w/part surround ring	120.00	pr
78-735280	Window handle, chrome, RH	35.00	ea
78-735281	Window handle, chrome, LH	35.00	ea
01A-7022938	Window handle pivot shaft & bkt	15.00	ea

**Back Window Seals, ends seamed as original.**

11A-704220	1941-48 Ford Pass (no groove)	30.00	ea
19A-704220	1941-48 Mercury (w/chrome groove)	30.00	ea
11A-7941936-K	1941-48 Station Wagon	40.00	pr
21A-704220-SD	1942-48 Sedan delivery	40.00	ea