

Bear Jaw Door Latches, cont

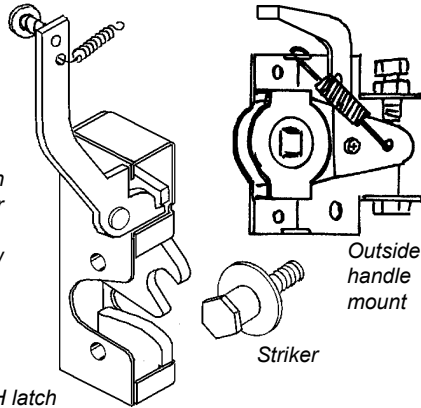
Bear Jaw Latch Linkage: Linkage Rods

5/32" rod. Must be cut to length and a 90 degree bend put in end to connect various components. Other bends will be required to clear windows and other components. This one is up to the installer to figure out. The clips hold the rod to each component.

B-7021818-ROD	Rod, 32" length	1.50	ea
B-7021818-RCR	Rod end clip, RH	0.75	ea
B-7021818-RCL	Rod end clip, LH	0.75	ea

Safety "Bear Jaw" Single Rotor Door Latches with 1932 Roadster Handle Linkage

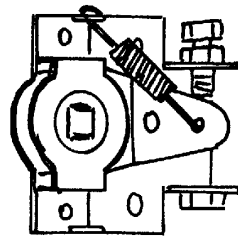
We use these latches on our 1932 Roadster (after March 1994) Special linkage is added to allow use of the original style inside handles. Outside handle mount linkage is optional



Y-32RLATCH-ASSYR	RH Latch w/32 Roadster handle linkage	n.a	
Y-32RLATCH-ASSYL	LH Latch w/32 Roadster handle linkage	n.a	
Y-32RLATCH-5	Striker	12.50	ea
B-7021818-O	Outside handle mount, RH	55.00	ea
B-7021818-O	Outside handle mount, LH	55.00	ea

Wescott 1933-34 Roadster: Outside/Inside Handle Linkage

This is the linkage we use on the 1933-34 Roadsters. Note that the inside handle mounts to the outside handle shaft, and that there are no provisions for locking the door.

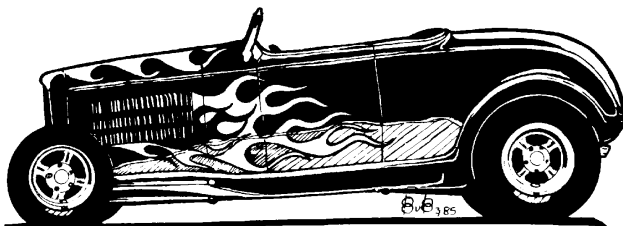


40-46105-LKR	RH	45.00	ea
40-46105-LKL	LH	45.00	ea

Special adaptor shaft to use inside handle only

1929-36 roadster latches and Wescott 1933-34 handle linkage.

A-702400-CAS	uses A-702500-C handle	35.00	ea
--------------	------------------------	-------	----



Door and Deck Hinges

Trunk Lid Hinges: 1926-27

Roadster:

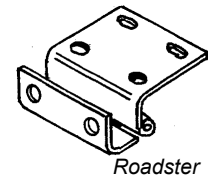
Stamped steel

T-9485-H	32.50	pr
----------	-------	----

Coupe

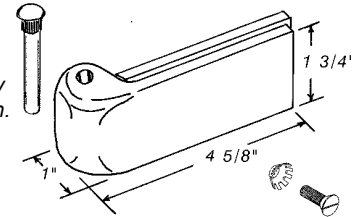
Pin on mounting plate

T-9485-C	75.00	ea
----------	-------	----



Door Hinges: 1926-27 Coupe & Sedan 1928-29 Pickup and Panel Door

Cast gear bronze. Drilled for hinge pin only. Body mounting holes are not drilled. Upper, middle, and lower were originally different length, you cut to length. Ford used two styles of hinges, complete hinges will replace all hinges, individual straps will not replace spline type hinge.



Hinges:

A-46300-TC	Cowl strap only	40.00	ea
A-46300-TD	Door strap only	45.00	ea
A-46300-TS	Set of 6 hinges with pins	525.00	ea

Pins and Screws:

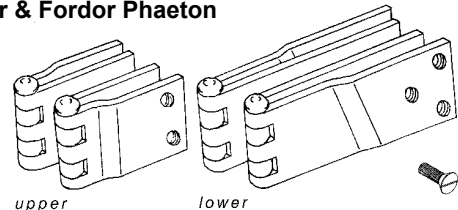
A-46335	Hinge Pins, plain	0.75	ea
A-46335-SS	Hinge Pins, Stainless	5.00	ea

Hinge screws are 1/4-28 with countersunk lockwashers.

Door Hinges:

1926-31 Roadster & Fordor Phaeton

Stamped Steel. Sold as set of 4 hinges w/pins.



T-1501	1926-27 Front:	125.00	ea
T-1502	1926-27 Rear:	125.00	ea
A-35600-AS	1928-29 Front:	125.00	ea
A-36400-AS	1928-29 Rear:	125.00	ea
A-35600-BS	1930-31 Front: (3 cowl screws on lower)	125.00	ea
A-35600-CS	1930-31 Front: (2 cowl screws on lower)	125.00	ea
A-36400-BS	1930-31 Rear:	125.00	ea
A-35600-XS	Universal, with 6" straps, not drilled	125.00	ea

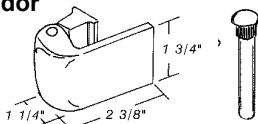
Hinge Pins and Screws

A-35615	Hinge pins, plain (truss head)	0.75	ea
A-35600-OS	Hinge to cowl: 1928-29, 4 ea screws & washers	1.50	set
B-35600-M100	Hinge to cowl screw, plain: 1930-31	0.50	ea
B-35600-M100C	Hinge to cowl screw, chrome: 1930-31	2.00	ea
B-35600-WWV	Hinge to cowl washer, plain: 1930-31	0.25	ea
B-35600-WWC	Hinge to cowl washer, chrome: 1930-31	1.50	ea
A-35600-PS	Hinge to door: 1928-31, 4 ea screws & nuts	2.00	set

Door and Deck Hinges, cont

Door Hinges: 1928-29 Coupe & Tudor

Cast gear bronze, hinge pin holes are drilled. Body mount holes are drilled and tapped for 5/16-24 hex bolts. Door mount holes are not drilled, original hinges were riveted to doors.



Cowl side (block)

A-46300-ACU upper 35.00 ea

A-46300-ACL lower 40.00 ea

Door side (strap)

A-46300-ADU upper 32.50 ea

A-46300-ADM middle 37.50 ea

A-46300-ADL lower 45.00 ea

Set of 6 hinges with pins

A-46300-AS set 6 450.00 ea

Hinge Pins:

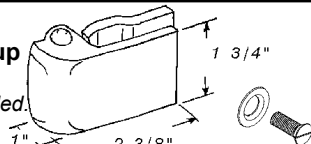
A-46335 Hinge Pins, plain 0.75 ea

A-46335-SS Hinge Pins, Stainless 5.00 ea

Door Hinges:

1930-31 Coupe Tudor & Pickup

Cast Gear Bronze. Hinge pin holes are drilled, Mounting holes not drilled. Original hinges riveted to doors.



Upper Hinge Straps Only

A-46300-BCU Cowl 35.00 ea

A-46300-BDU Door 30.00 ea

Middle Hinge Straps Only

A-46300-BCM Cowl 37.50 ea

A-46300-BDM Door 35.00 ea

Lower Hinge Straps Only

A-46300-BCL Cowl 40.00 ea

A-46300-BDL Door 40.00 ea

Complete Hinge Set,

Set of 6 hinges with pins:

A-46300-BS 450.00 set

Hinge Pins and Screws

A-46335 Hinge Pins, plain 0.75 ea

A-46335-SS Hinge Pins, Stainless 5.00 ea

B-35600-M050 Hinge to cowl screw, 1/2" plain 0.50 ea

B-35600-M075 Hinge to cowl screw, 3/4" plain 0.50 ea

B-35600-M100 Hinge to cowl screw, 1" plain 0.50 ea

B-35600-M100C Hinge to cowl screw, 1" chrome 2.00 ea

B-35600-WW Hinge to cowl washer, plain: 1930-31 0.25 ea

B-35600-WWC Hinge to cowl washer, chrome: 1930-31 1.50 ea

Door Hinges: 1930-31 Victoria

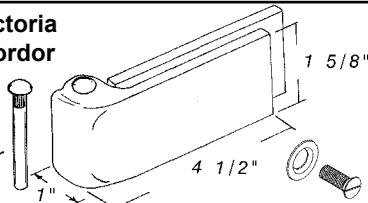
1931 Slant Windshield Fordor

Cast gear bronze.

Drilled for pins.

Not drilled for mounting.

Original hinges riveted to door



Hinge Straps:

B-35600-CUL Front body upper, door lower, rear body 45.00 ea

B-35600-DUL Front body lower, door upper, rear door 47.50 ea

Hinge Pins and Screws

B-35615 Hinge pin, plain 1.00 ea

B-46335-SS Hinge pin, stainless (cut to length) 5.00 ea

B-35600-M100 Hinge to cowl screw, 1" plain 0.50 ea

B-35600-M100C Hinge to cowl screw, 1" chrome 2.00 ea

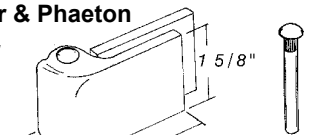
B-35600-WW Hinge to cowl washer, plain 0.25 ea

B-35600-WWC Hinge to cowl washer, chrome 1.50 ea

Door and Deck Hinges, cont

Door Hinges: 1932 Roadster & Phaeton

Cast gear bronze. Drilled for pins, Not drilled for mounting. Original hinges riveted to body



Front body upper; rear body

B-35600-CU 42.50 ea

Front door upper; rear door

B-35600-DU 40.00 ea

Front body lower

B-35600-CL 47.50 ea

Front door lower

B-35600-DL 47.50 ea

Hinge Pins and Screws

B-35615 Hinge pin, plain 1.00 ea

B-46335-SS Hinge pin, stainless (cut to length) 5.00 ea

B-35600-M100 Hinge to cowl screw, 1" plain 0.50 ea

B-35600-M100C Hinge to cowl screw, 1" chrome 2.00 ea

B-35600-WW Hinge to cowl washer, plain 0.25 ea

B-35600-WWC Hinge to cowl washer, chrome 1.50 ea

Note most fiberglass bodies do not use original type screws.

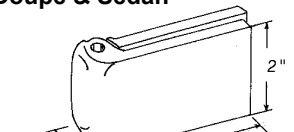
Door Hinges: 1932 5 Window Coupe & Sedan

Cast Gear Bronze

Drilled for hinge pin only.

Mounting holes are not drilled.

Original hinges riveted to doors.



Upper Hinge Straps:

B-46300-CU Body 45.00 ea

B-46300-DU Door 45.00 ea

Lower Hinge Straps:

B-46300-CL Body 50.00 ea

B-46300-DL Door 50.00 ea

Hinge Pins

B-46335 Plain 1.00 ea

B-46335-SS Stainless 5.00 ea

B-46335-XS SS Xlong 5.00 ea

Hinge Screws

B-35600-M100 Hinge to cowl screw, 1" plain 0.50 ea

B-35600-M100C Hinge to cowl screw, 1" chrome 2.00 ea

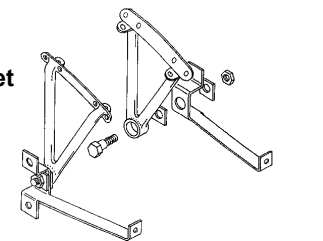
B-35600-WW Hinge to cowl washer, plain 0.25 ea

B-35600-WWC Hinge to cowl washer, chrome 1.50 ea

Rumble Hinges:

1928-32 Roadster, 5-Window Coupe & Cabriolet

Includes hinges, hinge to body bracket, pivot bolts and clamp washers, and hinge to lid mounting bolts.



A-41542-S 1928-31, cast iron hinges 65.00 set

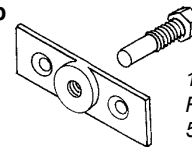
B-41542-S 1932 Roadster, cast aluminum hinges 200.00 set

AH-1114 Pivot bolts and washers only 7.50 set

Trunk Lid Hinges and Prop

1928-32

Hinge pins pivot in the upper corners of the deck lid.



1928-32 Roadster & 5 Window

A-41512-S Hinge: 1928-31 Roadster & 5 Window 12.50 set

B-41512-3W Hinge: 1932 3 Window 75.00 ea

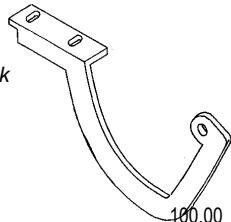
A-41530 Prop: 1928-32 17.50 ea

A-41530-MB Prop shoulder bolt on body: 1928-32 7.50 ea

Door and Deck Hinges, cont

**Trunk Hinges: 1928-32
Wescott's Lift Style**

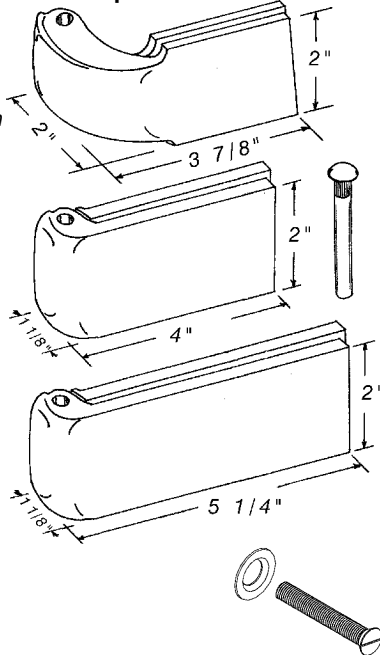
Used in Wescott's 1928-32 bodies w/trunk lid built after 1985. Uses AH-1114 pivot bolt kit. Requires fabrication of pivot mount inside body when used on steel bodies or fiberglass bodies.



B-41513-WT	1928-32 Roadsters	100.00	pr
B-41513-W3	1928-32 5 Window, 1932 3 Window	100.00	pr
AH-1114	Pivot Bolt & Alignment Washer set	7.50	set

Door Hinges: 1932 3-Window Coupe

Cast Gear Bronze.
Drilled for hinge pin only.
Mounting holes not drilled.
Center and lower hinges trim to RH or LH.



Hinge Straps:

Upper RH (Body) Hinge Strap:	
B-523200-C	47.50 ea
Upper RH (Door) Hinge Strap:	
B-523200-D	47.50 ea
Upper LH (Body) Hinge Strap:	
B-523201-C	47.50 ea
Upper LH (Body) Hinge Strap:	
B-523201-D	47.50 ea
Center Hinge (Body) Straps:	
B-523202-C	50.00 ea
Center Hinge (Door) Straps:	
B-523202-D	50.00 ea
Lower Hinge (Body) Straps:	
B-523204-C	60.00 ea
Lower Hinge (Door) Straps:	
B-523204-D	60.00 ea

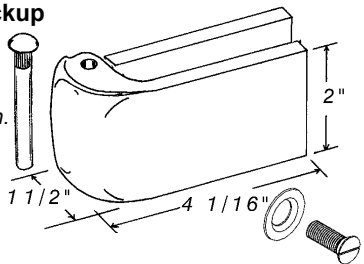
Hinge Pins and Screws

B-46335	Hinge pin, plain	1.00	ea
B-46335-SS	Hinge pin, stainless	5.00	ea
B-46335-XS	Hinge pin, stainless, extra long	5.00	ea
B-35600-M300	Hinge to body screw, 3", undersize head	1.00	ea
B-35600-WVV	Hinge to cowl washer, plain	0.25	ea
B-35600-WVC	Hinge to cowl washer, chrome	1.50	ea

Note: original hinges riveted to doors.

Door Hinges: 1932-34 Pickup

Cast gear bronze.
Hinge pin holes are drilled.
Mount holes are not drilled.
Straps have to be cut to length.



Hinge Straps

Cowl: upper or lower, RH or LH	
B-46300-CU	45.00 ea
Door: upper or lower, RH or LH	
B-46300-DL	50.00 ea

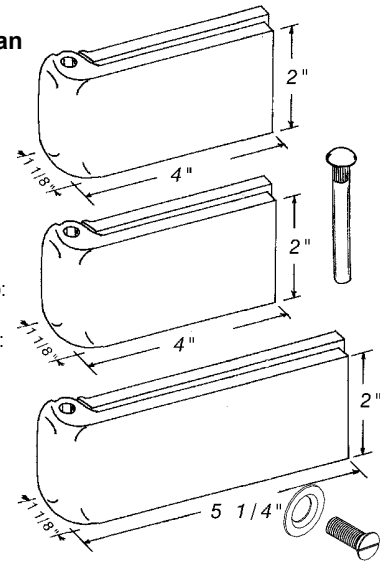
Hinge Pins and Screws

B-46335	Hinge pin, plain	1.00	ea
B-46335-SS	Hinge pin, stainless	5.00	ea
B-46335-XS	Hinge pin, stainless, extra long	5.00	ea
B-35600-M100	Hinge to cowl screw, 1" plain	0.50	ea
B-35600-M100C	Hinge to cowl screw, 1" chrome	2.00	ea
B-35600-WVV	Hinge to cowl washer, plain	0.25	ea
B-35600-WVC	Hinge to cowl washer, chrome	1.50	ea

Door and Deck Hinges, cont

**Door Hinges: 1933-34
5 Window Coupe & Sedan**

Cast gear bronze.
Hinge pin holes are drilled.
Mount holes are not drilled.
Straps may have to be cut to length.



Hinge Straps:

Upper & Middle (Body) Hinge Strap:	
B-523202-C	50.00 ea
Upper & Middle (Door) Hinge Strap:	
B-523202-D	50.00 ea
Lower (Body) Hinge Strap:	
B-523204-C	60.00 ea
Lower (Door) Hinge Strap:	
B-523204-D	60.00 ea

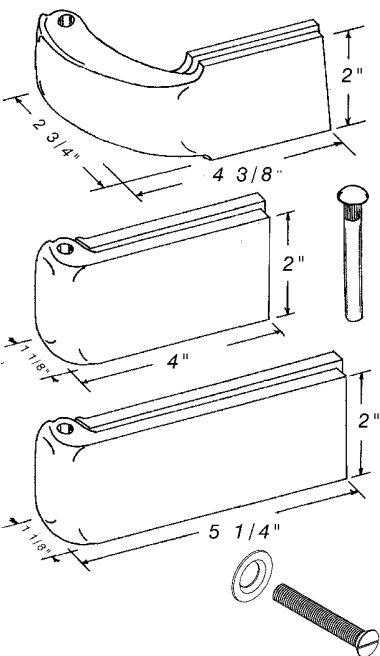
Pins & Mounting Screws

B-46335	Hinge pin, plain	1.00	ea
B-46335-SS	Hinge pin, stainless	5.00	ea
B-46335-XS	Hinge pin, stainless, extra long	5.00	ea
B-35600-M100	Hinge to cowl screw, 1" plain	0.50	ea
B-35600-M100C	Hinge to cowl screw, 1" chrome	2.00	ea
B-35600-WVV	Hinge to cowl washer, plain	0.25	ea
B-35600-WVC	Hinge to cowl washer, chrome	1.50	ea

Door Hinges:

1933-34 3 Window

Cast Gear Bronze.
Drilled for hinge pin only.
Mounting holes not drilled.
Center and lower hinges trim to RH or LH.



Hinge Straps:

Upper RH (Body) Hinge Strap:	
40-723200-C	50.00 ea
Upper RH (Door) Hinge Strap:	
40-723200-D	50.00 ea
Upper LH (Body) Hinge Strap:	
40-723201-C	50.00 ea
Upper LH (Body) Hinge Strap:	
40-723201-D	50.00 ea
Center Hinge (Body) Straps:	
B-523202-C	50.00 ea
Center Hinge (Door) Straps:	
B-523202-D	50.00 ea
Lower Hinge (Body) Straps:	
B-523204-C	60.00 ea
Lower Hinge (Door) Straps:	
B-523204-D	60.00 ea

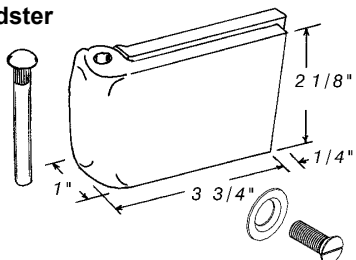
Hinge Pins

B-46335	Plain	1.00	ea
B-46335-SS	Stainless	5.00	ea
B-46335-XS	SS Xlong	5.00	ea
Mounting Screws			
B-46335-XS	Hinge pin, stainless, extra long	5.00	ea
B-35600-M100	Hinge to cowl screw, 1" plain	0.50	ea
B-35600-M100C	Hinge to cowl screw, 1" chrome	2.00	ea
B-35600-WVV	Hinge to cowl washer, plain	0.25	ea
B-35600-WVC	Hinge to cowl washer, chrome	1.50	ea

Door and Deck Hinges, cont

Door Hinges: 1933-34 Roadster

Cast Gear Bronze.
Hinge pin holes are drilled.
Mounting holes are not drilled.
Lower hinges lengths supplied,
trim to upper hinges length.



40-35600-S	Hinges, set of 4 with plain pins	300.00	ea
B-46335	Hinge pin, plain	1.00	ea
B-46335-SS	Hinge pin, stainless	5.00	ea
B-46335-XS	Hinge pin, stainless, extra long	5.00	ea
B-35600-M100	Hinge to cowl screw, 1" plain	0.50	ea
B-35600-M100C	Hinge to cowl screw, 1" chrome	2.00	ea
B-35600-WVV	Hinge to cowl washer, plain	0.25	ea
B-35600-WVVC	Hinge to cowl washer, chrome	1.50	ea

Trunk Lid: 1933-34 Roadster, Coupe, Cabriolet

Hinges, cast steel:

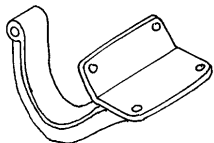
40-713572-TS	145.00	pr
--------------	--------	----

Prop Arm Only:

40-41530	35.00	ea
----------	-------	----

Prop shoulder bolt on body:

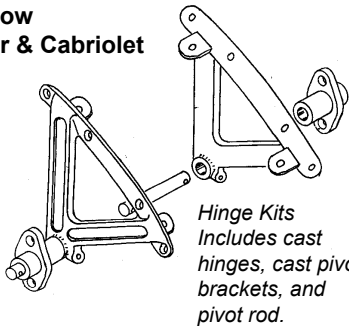
A-41530-MB	7.50	ea
------------	------	----



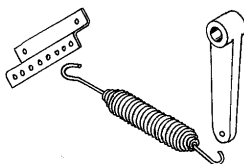
Rumble Lid: 1932 3 Window 1933-34 Coupe, Roadster & Cabriolet

Hinge Kit: 1932 3 Window
Aluminum castings, USA
B-713570-S 175.00 set

Hinge Kit: 1933-34
Iron castings, Import
40-713570-S 57.50 set



Hinge Kits
Includes cast
hinges, cast pivot
brackets, and
pivot rod.



Counter balance spring bracket
mounts to body wheelwell

Counter balance spring and bracket:!

B-526812	Counter balance spring bracket	10.00	pr
B-526813	Counter balance spring	12.50	pr
B-526814	Counter balance arm, cast aluminum	22.50	ea

Door and Deck Hinges, cont

1935-40 Coupe, Sedan & Convertible

Cast gear bronze.
Hinge pin holes are drilled.
Mount holes are not drilled.
Straps may have to be cut
to length.

Hinge Straps:

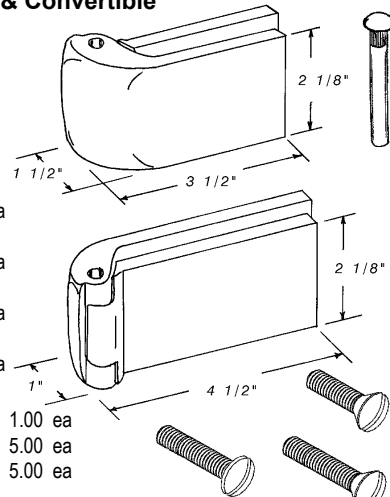
Upper (Body)	78-702452-C	50.00	ea
Upper (Door)	78-702452-D	50.00	ea
Lower (Body)	78-702454-C	50.00	ea
Lower (Door)	78-702454-D	50.00	ea

Hinge Pins

B-46335	Plain	1.00	ea
B-46335-SS	Stainless	5.00	ea
B-46335-XS	SS Xlong	5.00	ea

Mounting Screws

48-35600-MS	1935-36 Passenger, 5/16 x 1 1/4, set of 3	2.50	set
78-35600-MS	1937-40 Coupe & Sedan, 5/16 x 1, set of 3	2.50	set
78-35600-MC	1937-40 Convertible 5/16 x 1 3/4	5.00	set



Trunk Hinge & Prop: 1935-36 Roadster, Coupe, Cabriolet

Hinges, cast steel:

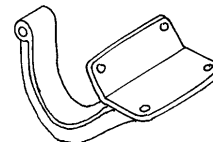
48-713572-TS	n.a
--------------	-----

Prop Arm Only:

48-727690-A	n.a
-------------	-----

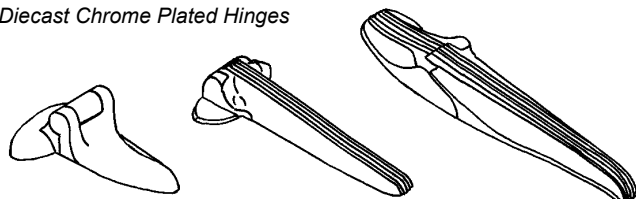
Prop shoulder bolt on body:

A-41530-MB	7.50	ea
------------	------	----



Trunk Lid: 1935-37 Sedan

Diecast Chrome Plated Hinges

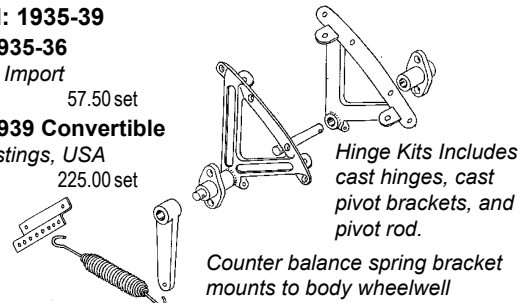


48-706850/1	Hinges: 1935-36 Humpback sedans	105.00	pr
48-7042707	Hinge to body rubber pad, 1935-36 Humpback	7.50	set
78-706850/51-A	Hinges: 1937 Slantback sedans	160.00	pr
78-7042707-A	Hinge to body rubber pad, 1937 Humpback	7.50	set
78-706850/51-B	Hinges: 1937 Humpback sedans	160.00	pr
78-7042707-B	Hinge to body rubber pad, 1937 Humpback	7.50	set
78-7042707-C	Hinge to body rubber pad, 1937-38 Conv sedan	7.50	set

Rumble Lid: 1935-39

Hinge Kit: 1935-36
Iron castings, Import
48-713570-S 57.50 set

Hinge Kit: 1939 Convertible
Aluminum castings, USA
91A-713570-S 225.00 set

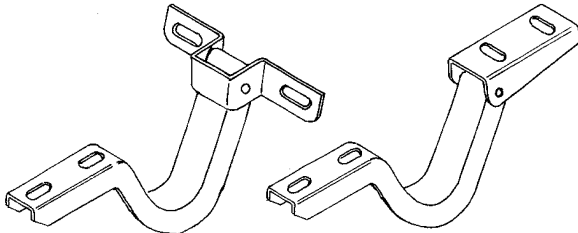


Counter balance spring and bracket:!

B-526812	1938-39 Counter balance spring bracket	10.00	pr
B-526813	1938-39 Counter balance spring	12.50	pr
B-526814	1938-39 Counter balance arm, cast aluminum	22.50	ea

Door and Deck Hinges, cont

Trunk Lid: 1937-40



78-7742700-S	Hinges: 1937-38 Coupe & Clubl Convertible	n.a
78-7744200-S	Prop: 1937-38	n.a
81A-7042700-S	Hinges: 1938 Deluxe, 1939-40 Sedan	n.a
99A-7044200-S	Props: 1939-40 Sedans	175.00 pr
91A-7742700-SS	Hinges: 1939-40 Coupe	175.00 ea
01A-6642700-SS	Hinges: 1940 Convertible	175.00 ea
91A-7744200-S	Props: 1939-40 Coupe & Convertible	175.00 pr

1935-47 Pickup Door Hinges

Cast gear bronze.

Hinge pin holes are drilled.

Mount holes are not drilled.

Straps may have to be cut to length.

Hinge Straps:

(Cowl) hinge straps

B-523204-PUC 60.00 ea

(Door) hinge straps

B-523204-D 60.00 ea

Hinge Pins and Screws

B-46335 Hinge pin, plain 1.00 ea

B-46335-SS Hinge pin, stainless 5.00 ea

B-46335-XS Hinge pin, stainless, extra long 5.00 ea

B-35600-M100 Hinge to cowl screw, 1935-37, 1" plain 0.50 ea

B-35600-M100C Hinge to cowl screw, 1935-37, 1" chrome 2.00 ea

B-35600-M300 Hinge to body screw, 1935-37 3" plain 1.00 ea

B-35600-WW Hinge to cowl washer, 1935-37, plain 0.25 ea

B-35600-WWC Hinge to cowl washer, 1935-37, chrome 1.50 ea

78-35600-MS Hinge to cowl screw, 1938-47 5/16 x 1, set of 3 2.50 set

Note: original hinges riveted to doors.

Door Hinge Puller Tool

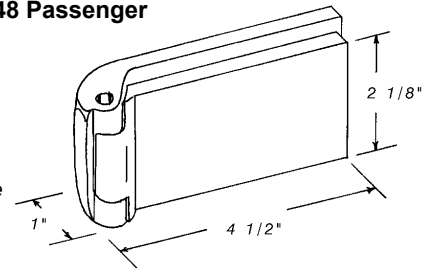
A great tool for removing hinge pins without damaging paint for annual lubrication. Not as effective for pins that are stuck from internal rust.

TL-100 Mfg by Bob Drake 30.00 ea

Door and Deck Hinges, cont

Door Hinges: 1941-48 Passenger

Lower hinge straps are cast gear bronze. Hinge pin holes are drilled. Mount holes are not drilled. Straps may have to be cut to length.

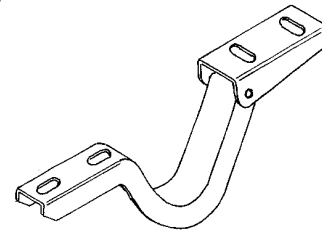


11A-702452-C	Upper, body (Hidden type)	n.a
11A-702452-D	Upper, door (Hidden type)	n.a
78-702454-C	Lower, body (Hidden type)	50.00 ea
78-702454-D	Lower, body (Hidden type)	50.00 ea

Hinge Pins

11A-46335	Upper hinges only, Plain	n.a
B-46335	Lower hinges only, Plain	1.00 ea
B-46335-SS	Lower hinges only, Stainless	5.00 ea
B-46335-XS	Lower hinges only, SS Xlong	5.00 ea

Trunk Lid: 1941-48



11A-7042700-S	Hinges: Sedan	n.a
99A-7044200-S	Props: Sedans	175.00 pr
21A-7642700-SS	Hinges: Coupe & Convertible	175.00 ea
11A-7744200-S	Props: Coupe & Convertible	100.00 pr