

1928-29 Body Repair Parts

Cowl Top Panels

(all except Fordor and Cabriolet)

With dummy filler neck

CTT2829A fiberglass 215.00 ea



Smooth, no filler neck

CTT2829F fiberglass 215.00 ea

A-117-A Steel 425.00 ea



With working cowl vent

Includes vent door, hinge, ratchet, and spring

CTT2829V fiberglass 590.00 ea

Recessed Cowl/Firewall, Fiberglass

(all except Fordor and Cabriolet)

Laminated using fire-retardant resin. Steel reinforcing and floorboard supports installed. Fits smallblock Chevy V8, even if using HEI distributor. Upper firewall is molded in. This is the minimum recessed firewall that will allow you to keep more legroom than any other recessed firewall.



CFA2829R Firewall: Recessed 590.00 ea

FLB31R Floorboard/trans cover, fiberglass 225.00 ea

Cowl/Firewall, Fiberglass

(all except Fordor and Cabriolet)

Upper Firewall

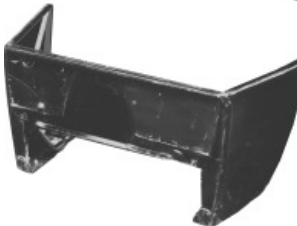
Mounts to cowl top

UFP2829A 150.00 ea



1928-29 Lower Firewall

Stock style, laminated, using fire-retardant resin. Steel reinforced, has floorboard supports installed.



For cars on Model A frame

CFA2829A 590.00 ea

For 29 Hiboy on '32 frame

CFA29HI 590.00 ea

Steel Replacement Firewall Parts

(all except Fordor and Cabriolet)

Street Rod Upper Firewall

Works with stock firewall.

BN-281003 105.00 ea

Stock lower firewall w/holes

A-1015-A 300.00 ea

Stock lower firewall no holes

A-1015-AO 325.00 ea

Recessed lower firewall

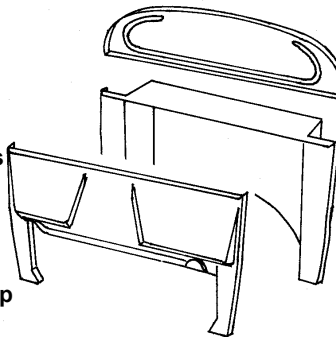
Bitchin Products

BN-281002 300.00 ea

Front floorboard / trans hump

for Bitchin Products firewall

BN-281005 180.00 ea



Original Style Floorboards

A-35130-AS Front floorboards, wood 50.00 pr

AH-1122 Floorboard mounting screws 12 pcs 2.50 set

A-35130-S Front floorboard to body seal, felt 10.00 ea

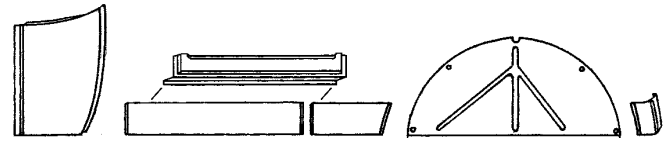
A-35123-FP Pedal & Steering tube seal, felt 5.00 ea

A-35122-S Pedal & column seal cover plate set 7.50 ea

A-35245-A Shift lever plate 5.00 ea

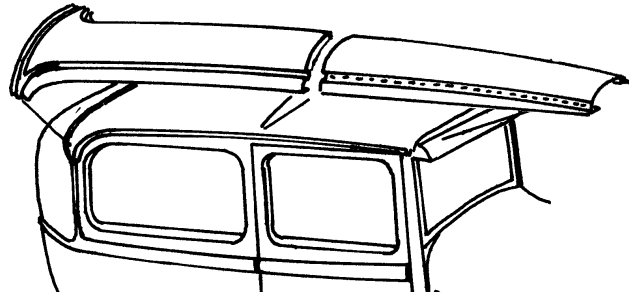
A-35245-CL Shift lever plate clips 2.50 set

1928-29 Coupe & Tudor Body Patch Panels, Steel



A-114-A	Front cowl sides	100.00	pr
A-336-A	Door outer panel patch, 6" tall	45.00	pr
A-336-AT	Door outer panel patch, 22" tall, fits RH or LH	80.00	ea
A-336-IA	Door inner panel patch	50.00	pr
A-437-B	Door inner vertical brace	25.00	pr
A-438-B	Quarter inner window stop support, Tudor	n.a	
A-350-A	Quarter patch panels	30.00	pr
A-381-AB	Wheel well patch panel, coupe	55.00	pr
A-481-AB	Wheel well patch panel, tudor sedan	55.00	pr
A-170-A	Rear body corner patch, coupe	32.50	pr
A-470-A	Rear body corner patch, tudor	50.00	pr

Body Roof Panels Above Windows, Stamped Steel



A-47775-R	Above door, Tudor, RH	125.00	ea
A-47775-L	Above door, Tudor, LH	125.00	ea
A-47774-R	Above Quarter (Side Window), Tudor, RH	n.a	
A-47774-L	Above Quarter (Side Window), Tudor, LH	n.a	

Fordor Body Patch Panels, Steel

A-536-B	1929 Fordor (Murray body) Sedan, set of 4 no bead on bottom of door	80.00	set
A-636-B	1929 Fordor (Briggs body) Sedan, set of 4 with bead on bottom of door	80.00	set
A-581-AB1	Wheel well patch, fordor sedan	55.00	pr
A-170-ST	Body panel joint "T" strip, must form to fit	50.00	ea

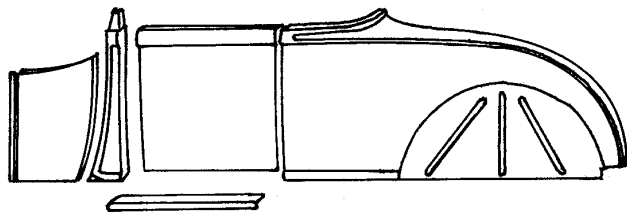
1928-31 Wood Frame Body Door Sill Finish Bead

A metal strip that nails to the sill on the wood subframe bodies

A-132-W	1928-31 Fordors, Cabriolets, Victoria.	60.00	ea
---------	--	-------	----

1928-29 Body Repair Parts, cont

1928-29 Roadster, Roadster PU & Phaeton Body Parts



Cowl Parts:

A-114-A	Front cowl sides	100.00	pr
A-1011-A	RH hinge post, w/upper braces	325.00	ea
A-1010-A	LH hinge post, w/upper braces	325.00	ea
A-1010-AB	Hinge post lower braces	65.00	pr
A-1005-A	Cowl upper cross bar (outer), no braces	150.00	ea
A-1001-AB	Cowl upper cross bar end braces	75.00	pr
A-1001-ACB	Cowl upper cross bar center braces	22.50	pr

Door Parts

Stamped Steel. These are good quality but do require expert bodywork for perfect fitting and before painting. We recommend fitting the inner panel to the body before installing outer skin.

A-1040-A	Outer door skin, stock, RH front	275.00	ea
A-1041-A	Outer door skin, stock, LH front	275.00	ea
A-1040-AR	Outer door skin, smooth, RH front	275.00	ea
A-1041-AR	Outer door skin, smooth, LH front	275.00	ea
A-136-A	Outer door patch panels, roadster, 6" tall	45.00	pr
A-736-A	Outer door patch panels, phaeton, 6" tall	65.00	set
A-1044-A	Inner door panel, LH	450.00	ea
A-1045-A	Inner door panel, RH	450.00	ea

Rocker Panels

A-35525-S	Roadster & Phaeton: Front	180.00	pr
A-36325-S	Phaeton: Rear	180.00	pr
A-36325-XS	Phaeton: Rear Extension	50.00	pr
A-1034	Mounting brackets on sill	40.00	pr

Roadster Quarter Panels

**Note: Quarter panels shipped only by truck from Ohio.*

A-2050-A	Quarter panel with inner braces, RH*	1100.00	ea
A-2051-A	Quarter panel with inner braces, LH*	1100.00	ea
A-150-A	Quarter patch panels, roadster	30.00	pr
A-181-AB	Wheel well patch panels, roadster	55.00	pr
A-170-A	Rear body corner patch, roadster	32.50	pr
A-170-ST	Body panel joint "T" strip, must form to fit	50.00	ea

Roadster Pickup Cab Back & Quarters

A-877-A	1928-29 Cab back panel	225.00	ea
A-877-ABR	1928-29 Braces for cab back	45.00	pr
A-1050-A	1928-29 LH Quarter, w/braces	325.00	ea
A-1051-A	1928-29 RH Quarter, w/braces	325.00	ea

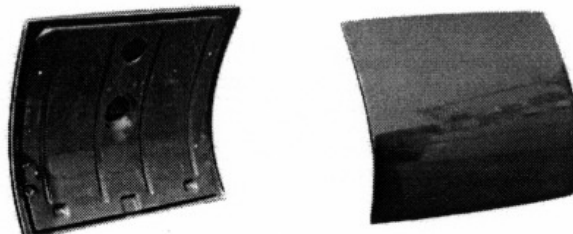
Phaeton Seat Back & Quarters

A-767-A	Front seat back panel (may need bodywork)	300.00	ea
A-781-A	Wheel well patch panels	55.00	pr
A-470-A	Rear body corner patch	50.00	pr
A-170-ST	Body panel joint "T" strip	50.00	ea

Coupe, Roadster & Cabriolet Deck Lid

Wescott fiberglass deck lid

Fiberglass inner and outer panels with steel reinforcing. Steel provides secure mounting for hinges, trunk prop, and rumble seat.



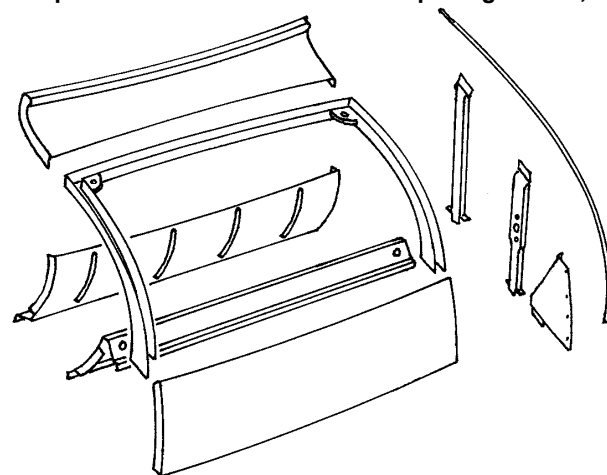
DL2829CR	Deck lid set up for stock latch	800.00	ea
DL3031CR-REM	Deck lid set up for remote latch striker	800.00	ea

Steel replacement deck lid panels

Stamped steel, good quality. These require some bodywork and are best fitted to body before fitting inner and outer panels together

A-1059-ABS	Outer skin, no handle hole	300.00	ea
A-1059-ABT	Outer skin, with trunk handle hole	300.00	ea
A-1059-AIS	Inner panel	400.00	ea

Coupe Roadster & Cabriolet Deck Opening Panels, Steel



A-167-A	Panel above deck lid, roadster	275.00	ea
A-169-A	Deck top and side drip channels	175.00	set
A-166-A	Deck upper gutter brace, roadster	75.00	pr
A-366-A	Deck upper gutter brace, coupe	75.00	pr
A-162-B	Rumble hinge mount brace, roadster	75.00	pr
A-162-A	Rumble hinge mount brace, coupe	75.00	pr
A-160-AB	Rear corner triangle brace, roadster	45.00	pr
A-360-A	Rear corner triangle brace, coupe & cabriolet	45.00	pr
A-163-A	Panel below deck lid, roadster	50.00	ea
A-363-A	Panel below deck lid, coupe	50.00	ea
A-663-AB	Panel below deck lid, cabriolet	50.00	ea
A-161-A	Inner panel below deck, rumble seat cars	60.00	ea
A-161-T	Inner panel below deck, trunk lid gutter	65.00	ea

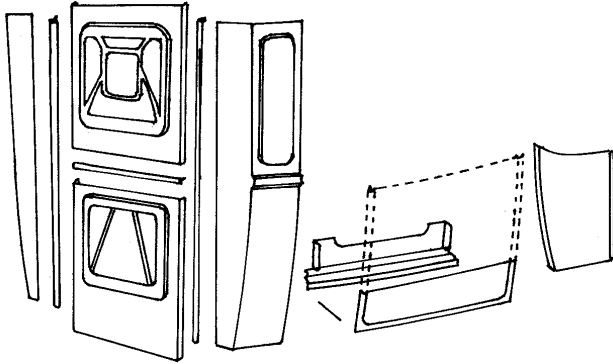
Rumble Lid Upper Corner Bumper Brackets

Weld into upper corners of drip channel.

B-41519	1928-34 All with rumble	12.50	pr
---------	-------------------------	-------	----

1928-29 Body Repair Parts, cont

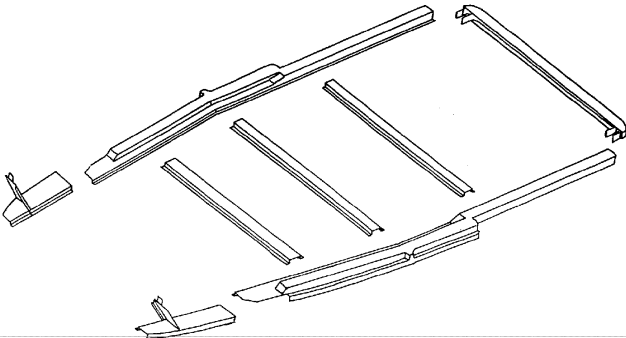
Closed Pickup Cab Panels



A-114-A	Cowl side panels	100.00	pr
A-836-A	Door outer patch panels, 6" tall	65.00	pr
A-836-AT	Door outer patch, RH, 22" tall	105.00	ea
A-836-ATL	Door outer patch, LH, 22" tall	105.00	ea
A-836-IA	Door inner patches	50.00	pr
A-977-S	Cab quarters panels, stock	300.00	pr
A-977-SL	Cab quarters panels, lengthened (12")	350.00	pr
A-977-W	Cab back upper panel	250.00	ea
A-977-L	Cab back lower panel	250.00	ea
A-977-TH	Cab back horizontal "T" strip	10.00	ea
A-977-TV	Cab back vertical "T" strips	125.00	pr
A-977-VB	Cab back Inner top brace and corner brackets	55.00	ea

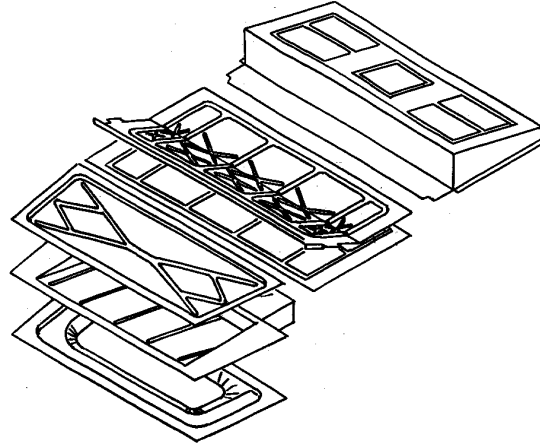
Body Floor & Subframe Repair Parts

All body floor and subframe parts are stamped/fabricated steel. They will require some adjustment, metal finishing, drilling or welding during installation.



A-132-XA	Cowl subsill/floorboard supports	250.00	set
A-132-AF	Full subsills, Roadster	375.00	pr
A-132-A	Half (quarter back) subsills, Roadster	250.00	pr
A-332-AF	Full subsills, Coupe	400.00	pr
A-332-A	Half (quarter back) subsills, Coupe	250.00	pr
A-432-AF	Full subsills, Tudor sedan & Phaeton	375.00	pr
A-432-A	Half (quarter back) subsills, Tudor sedan	250.00	pr
A-832-AF	Full subsills, Closed Pickup Cab	400.00	pr
A-1032-AF	Full subsills, Roadster pickup	400.00	pr
A-131-AB	Floor support crossmembers, set of 3	65.00	set
A-165-AB	Rear body crossmember, coupe & roadster	225.00	ea
A-465-AB	Rear body crossmember, tudor	225.00	ea
A-1031-A	Rear body crossmember, roadster pickup	125.00	set
A-831-A	Rear body crossmember, closed pickup	55.00	ea

Coupe, Roadster and Pickup Body Floor Panels



A-335-A	Under seat pan, flat (no side curtain) Coupe, Roadster, Phaeton, Roadster PU	65.00	ea
A-127-A	Under seat pan w/side curtain storage Roadster and Phaeton	80.00	ea
A-835-A	Under seat pan, Closed pickup	45.00	ea
A-151-A	Center floor panel, Coupe and Roadster	65.00	ea
A-159-A	Trunk floor, Coupe and Roadster	100.00	ea

BITCHIN PRODUCTS Flat floor kit

BN-281006	Coupe, Roadster, Tudor	300.00	kit
-----------	------------------------	--------	-----

Body Wood Kits

Wood kits are manufactured from hardwood, usually oak. Top wood kits include the wood above top of the doors, including the windshield & door header wood, when used. The body wood kits include the door post, window surround, and any other body wood below the top of the doors. Body wood kits do not include door, floor, or seat wood.

Coupe Wood Kits

AWD-1028	Top wood, 1928-29 Std Coupe	375.00	set
AWD-1287	Body wood, 1928-29 Std Coupe	375.00	set
AWD-1029	Top wood, 1928-29 Special Coupe	375.00	set
AWD-1286	Body wood, 1928-29 Special Coupe	675.00	set

Sport Coupe Wood

AWD-1085	1928-29 Top wood kit w/header	375.00	set
AWD-1284	1928-29 Body wood (belt rail and door posts)	350.00	ea

Tudor Sedan Wood Kits

AWD-1025	Top wood kit, 1928-29 Tudor	475.00	set
AWD-1280	Body wood kit, 1928-29 Tudor	350.00	set
AWD-1027	Top wood kit, 1930-31 Tudor	500.00	set
AWD-1281	Body wood kit, 1930-31 Tudor	350.00	set

Closed Pickup Cab Wood Kits

AWD-1033	Top wood kit, 1928-29 Pickup	375.00	set
AWD-1282	Body wood kit, 1928-29 Pickup	215.00	set

Roadster, Phaeton, & Roadster Pickup Wood Kits

AWD-1275	Body wood, 1928-29 Roadster PU	160.00	set
AWD-1276	Body wood, 1928-29 Roadster	190.00	set
AWD-1277	Body wood, 1928-29 Phaeton	325.00	set

Cabriolet Wood Kits

AWD-1292	Body & Door wood, 1929-30 w/Straight wsh	675.00	ea
----------	--	--------	----